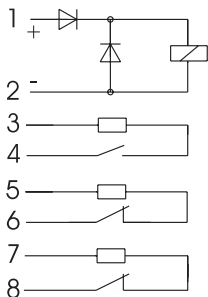


118 HVE 01
118 HVB 01

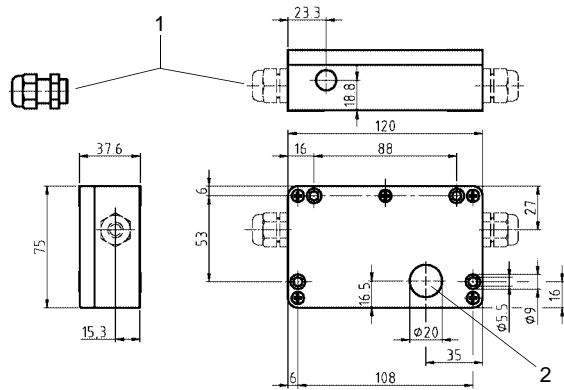


- (D)** Betriebsanleitung
Verriegelungseinheit
- (GB)** Operating instructions
Shot Bolt System
- (F)** Notice d'utilisation
Unité de verrouillage
- (I)** Istruzioni d'impiego
Finecorsa con blocco

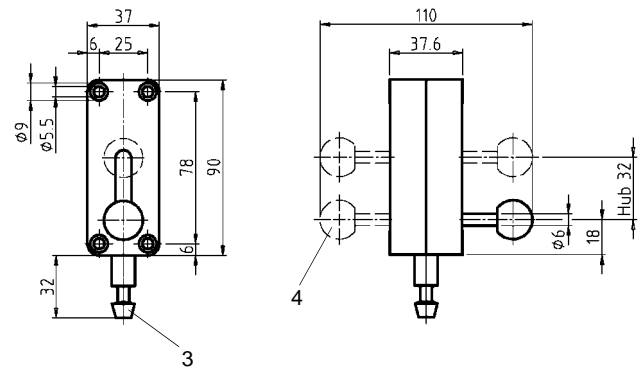
118 HVE 01



118 HVE 01



118 HVB 01



1 Technical Specification

1.1 General

1. Cable gland M16, can be inserted from either side
2. Rubber grommet, emergency unlock access
3. Shaft Magnet
4. Lower operating lever, supplied loose

1.2 Terminal assignment

<i>Terminal</i>	<i>Assignment</i>
1	Solenoid (+)
2	Solenoid (-)
3, 4	Shot bolt monitor
5, 6	Shot bolt monitor
7, 8	Solenoid monitor

1.3 Model Numbering system

The following example and table demonstrates the numbering system used for the elobau shot bolt system:

- Example:
- 118 HVE 01
- 118 abc de

Nota-tion	Reference		Meaning
ab	Model	HV	shot bolt system category 4 acc. to EN 954-1
c	Model	E	Lock monitor unit - base model
		B	shot bolt
de	Other	01	has no significance

1.4 Electrical and mechanical specifications

Supply voltage	24 V DC
Current input	260 mA
Locking principle	Locking mechanism spring loaded, no power required
Temperature range	-25 °C ... 75 °C
Material	Fibreglass reinforced PBT (Pocan); Shot bolt shaft: stainless steel
Protection class IEC 529	IP 67
max. switch-on period of tumbler	3 minutes
max. permissible shear force on interlocking pin	2500 N

2 Intended use

The shot bolt system safeguards machines and systems that continue to turn after deactivation of the safety outputs and so require mechanical locking of the guard.

2.1 Standards and Directives

The system comprising the Lock Monitor unit 118 HVE 01, Shot Bolt 118 HVB 01 and elobau Shot Bolt Control unit 462 M21 H31 01 is designed according to EN 954-1 category 4.

2.2 Safety/hazards

- Ensure that shot bolt system is only installed and commissioned by qualified and authorised personnel.
- Operate shot bolt system only if it is completely undamaged.
- Ensure that the shot bolt system is only used for protection against safety hazards.
- Ensure that all relevant safety instructions and regulations for the machine concerned are always followed.
- Ensure that all applicable European directives and national statutory requirements/directives are followed.
- Keep ferrous swarf away.

3 Function

The interlock comprises the lock monitor unit 118 HVE 01, the shot bolt 118 HVB 01 and the shot bolt control unit 462 M21 H31 01.

The guard is locked by the operator sliding the shot bolt manually into the lock monitor unit where it is held mechanically by the spring loaded mechanism. After switch-off, the solenoid will release the shot bolt automatically either by means of a pre-set time delay or by means of a signal from a zero speed monitor. The shot bolt can then be withdrawn manually by the operator.

4 Mounting



Danger

Danger of electric shock

- Ensure that interlock is only installed and commissioned by qualified and authorised personnel.

- Mount the shot bolt onto the guard.
- Mount the Lock monitor unit onto the machine.
- Connect the Lock Monitor unit to the Shot Bolt Control unit (see Technical Specification).
- Do not install the shot bolt system in strong magnetic fields.

To protect the cable:

- use enclosed cable gland M 16 (installable from either side).

If the lower activation lever of the shot bolt is required:

- screw activation lever into the shot bolt shaft.
- secure by means of a thread sealant (i.e. Loctite 243).

5 Commissioning



Danger of electric shock

- Ensure that interlock is only installed and commissioned by qualified and authorised personnel.

Once the Shot Bolt Control unit is powered up and all sensors are actuated the shot bolt system is functional.

5.1 Manual Emergency Unlock

To unlock in an emergency:

- Remove the rubber grommet on the front or rear of the unit.
- Retract the shot bolt shaft.

6 Maintenance

6.1 Measures

The shot bolt system is maintenance free.

6.2 Disposal

- Dispose of used parts and unwanted packaging in accordance to the regulations of the country in which the device is installed.

Datum: 23.09.2004

elobau 

elobau
Elektrobauelemente GmbH & Co. KG

Postfach 1265
88306 Isny/Allgäu
Germany

Werk:
Zeppelinstr. 44
88299 Leutkirch
Germany
Tel.: +49 75 61/970 - 0
Fax: +49 75 61/970 - 100
E-Mail: info@elobau.de
Web: www.elobau.de

 0123